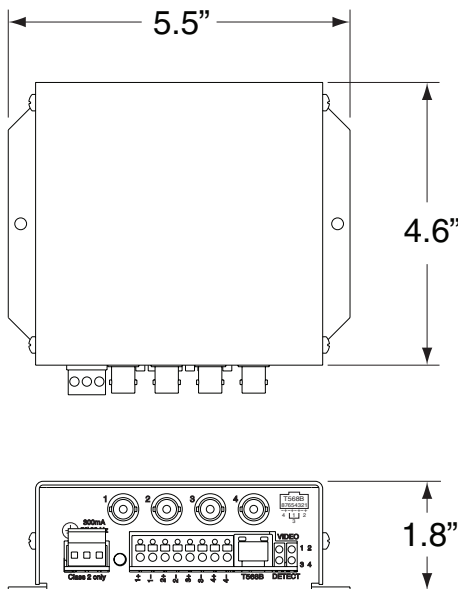




Description

The **VH456** 4-port active video mini-hub is a multi-channel video receiver device that provides a low cost means of receiving quality video over Category cabling. The system can also adapt to existing communication and computer network spare pairs or new cable installations. The VH456 can receive video up to 3,000 feet when used with passive transmitters or distances up to 6,000 feet with the Nitek TT560 active transmitter. The VH456 provides superior immunity from noise and interference, even when run in common raceways with AC.



Features

- Quality video over ordinary twisted pair
- Built-in surge suppression
- Built-in ground loop isolation
- Convenient access to DIP switches for accurate gain and loss control
- Immunity to noise and interference
- LED's to indicate video detection
- Compact design
- Video can be run in the same cable with telephone, computer signals and power



NITEK®

USA

5410 Newport Drive, # 24
Rolling Meadows, IL 60008
Phone: (847) 259-8900
Fax: (847) 259-1300
E-mail: info@nitek.net
WWW.NITEK.NET

EUROPE

De Schans 19-21 2a
8231 KA Lelystad
Tel: +31(0)320-230005
Fax: +31(0)320-282186
E-mail: info@nitek.nl
WWW.NITEK.NL

TECHNICAL SPECIFICATION

VH456—4 Port Active Video Mini-Hub

Size	5.5" H x 1.8" W x 4.6" D
Power Requirements	12-24 VAC/VDC 300mA max. Class 2
Input	Balanced low voltage current loop
Output	1 Vpp composite video Monochrome or Color
Video Format	PAL, SECAM, NTSC, RS170, CCIR (Color or B/W)
Twisted Pair Connection	Screw terminals
Wire Spec	26 to 18 AWG twisted pair
DC Loop Resistance	51 Ohms/1,000 feet
Nominal Capacitance	17pF/ft
Impedance	100 Ohms +/- 20%\
Category Wire	2 or better
Common Mode Rejection	>70dB
Operating Frequency	DC to 10 MHz
Recommended Transmission Distance	Up to 3,000 feet w/passive baluns Up to 6,000 feet w/active transmitters
Transient Immunity	Built-in
Temperature Range	-20°C to +55°C
Humidity Range	0 to 98%, non-condensing
Shipping Weight	3 lbs

Wire and Cable Recommendations

We recommend using unshielded twisted pair wiring. The systems will operate over wire 26 to 18 AWG but are optimized for 24 AWG. Category cables may be used. Individually shielded pairs should be avoided, as they drastically reduce the operating range of the systems. Multi-pair cable with an overall shield is acceptable. Video can be operated in the same communication cable coexistent with telephone, computer, control signals, power voltages and other video signals. While video may be routed through telephone punch down block terminals, any bridge-taps, also called T-taps and any resistive, capacitive or inductive devices MUST BE removed from the pair.

