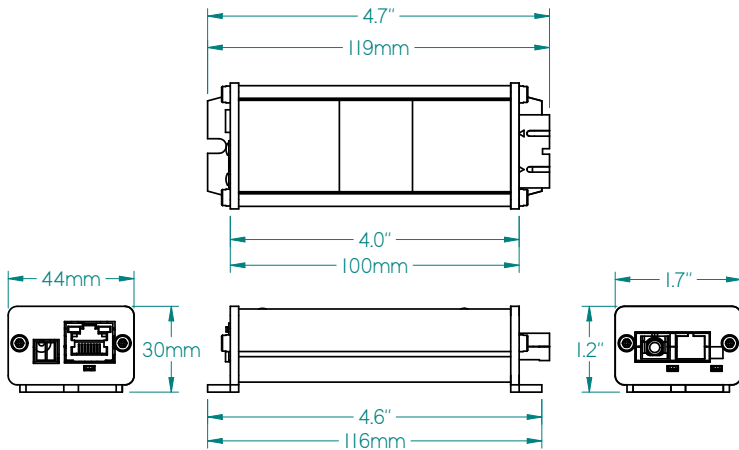


Fiber Media Converters

Commercial Media Converter Mini Single Fiber

Features

- Single Fiber Commercial Media Converters with SC interface
- Units work as a set to communicate over a single fiber
- Miniature Design
- Extends 10/100 Ethernet up to 2km (1.25mi) on multi-mode Fiber
- Compliant with IEEE802.3 standards
- Autosensing MDI/MDIX crossover on network port
- LED indicators for network signals, link status and power
- Made in the USA



MM-110A / MM-110B

Technical Specifications

Network Port:	RJ45 Connector
Ethernet:	10/100Mb on copper port, full or half duplex
Ethernet on Optical Link:	100Mb full duplex
Max operating distance electrical:	up to 100m / 330ft on Network Port (10/100 copper)
Max operating distance optical:	up to 2km / 1.25mi using SC simplex multi-mode 50um or 62.5um fiber
LED Indicator:	Orange/Green Flashing LED for 10/100BASE Electrical link and activity Green/Flashing LED for optical link and activity Green LED for Power
Operating Temperature Industrial:	0C to 50C / 32F to 122F
Humidity:	Up to 95% non-condensing
System Latency:	<1mS
Power Requirement:	6-15VDC / 6-12VAC, 12 V Recommended
Power used:	2 watts
BTU Rating:	6.8BTU/hr
Shipping Weight:	0.45kg / 1lb
Shipping Size (HxDxW):	64mm x 133mm x 189mm / 2.5" x 5.25" x 7.45"



SC connector

Optical Specs by partnumber:

	MM-110A	MM-110B
Optical Connector	SC	SC
Multi-Mode	X	X
Optical Wavelength Transmitter	1310nm	1550nm
Optical Wavelength Receiver	1550nm	1310nm
Max Optical Launch Power	0dBm	0dBm
Min Optical Launch Power	-15dBm	-15dBm
Minimum Receiver Sensitivity	-30dBm	-30dBm
Receiver Overload Power	1dBm	1dBm
Minimum Optical Budget	15dB	15dB
Max Operating Distance Optical	2km	2km

IMPORTANT:
To work over a single fiber, A parts must be paired with B parts on the opposite end of the link. A is usually the camera /remote side.

