

Description

IPGPU1 Series surge protective devices are applied to surge protection for data communication systems.

IPGPU1 is connected in series in CAT6 network cables, compatible with 100/1000M Ethernet systems, protecting the equipment, which is connected to the network (e.g. computers, routers, PoE devices, etc.) against damages by over-voltage surge.

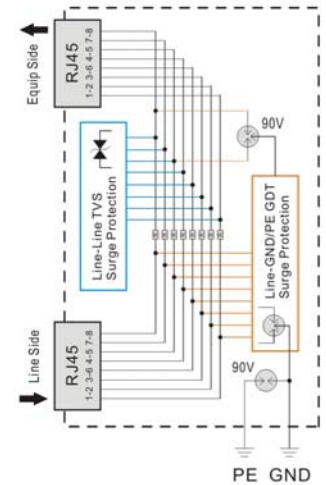
(Standards compliance: IEC6164321, UL497B, IEEE 802.3af PoE/802.3 at PoE Plus)

Technical Data

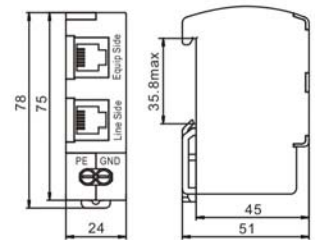
Model	IPGPU1
Ordering code	OE122025
Nominal operating voltage (Un)	2.8V(Ethernet)/48V(PoE)
Max. continuous operating voltage (UC)	3V(Ethernet)/60V(PoE)
Nominal Discharge Current (In @8/20us)	3kA (line to line)
Max. Discharge Current (Imax @8/20us)	20kA (line to GND/PE)
Voltage protection level (Up @line-line)	50V @ 3kV (1.2/50)
Voltage protection level (Up @line-GND/PE)	700/800V @ 3kV (1.2/50)
Max Line Current	600mA (PoE)
Data Rate	100/1000Mbps
Bandwidth (3db) per pair	>250MHz
Insertion Loss	<0.5dB @100MHz
Pairs Protected	1-2,3-6,4-5,7-8
Protective Element	GDT, TVS
Voltage Breakdown Range, VDC @ 100 V/s	2.4-188 (L-L) / 72-108(L-G)
Impulse Voltage Range, VDC @ 100 V/μs	<1000
Response Time (tA)	<100ns (line-GND/PE), <1ns (line-line)
Connection mode	RJ45
Temperature Range	- 40Å° to 176Å° (-40Å° to 80Å° C)
Relative Humidity	0% to 95% noncondensing
Maximum Operating Altitude	10,000 feet (3000m)
Cross-sectional area of earth lead	3mm² multi-stranded / flexible
Stripping Length Contacts	0.25inches (6-7mm)
Terminal Screw Torque	Max. 0.25Nm
Protection Rating (IP Code)	IP 20
Surge Life at 0.5kA (8/20¼s)	>2000 events
DIN Rail EN60715	35mm top-hat rail
Housing Material	Thermoplastic, UL94 V-0
Net Weight Per Unit	0.16Lb (71g)
Package Dimension (WxDxH)	0.9"x2.0"x3.1" (24mmx51mmx78mm)



Connection Diagram



Dimensions



Installation Instruction

The surge protective devices shall be employed in a Listed enclosure or closet that is only accessible to technician or service person.

19" Rack Mounting Installation

