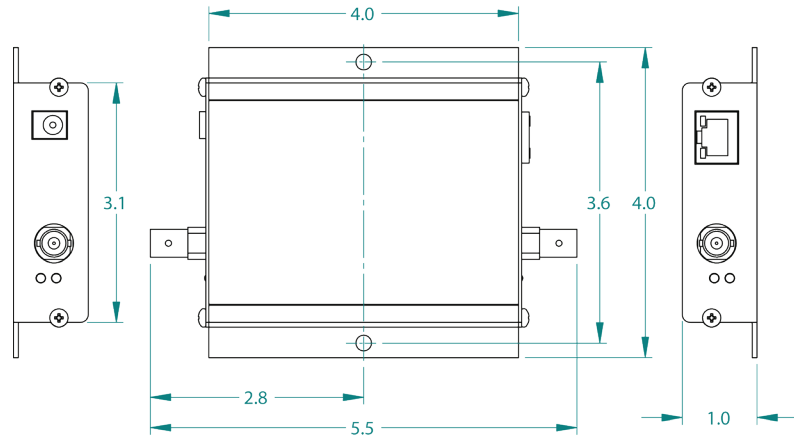


**Midspan IP & PoE Extender over Coax. Use with ET1500C, ET1543C, & ET4500C Transmitters and ER1500C, ER8500C, & ER16500C Receivers only.**

The EM2500C is a mid-span repeater/extender for NITEK's EtherStretch Ethernet & PoE over coax solution. It allows for the introduction of a powered 10/100 Ethernet port in the middle of an existing coaxial link or the extension of an existing link to beyond 500m. The EM2500C can sit as far as 500m from the head end, and communicate to another EM2500/ET1500C/ET1543C at distances of up to 500m and beyond. The EM2500C includes a power jack and power supply for long links.

The EM2500C is housed in an industrial-grade anodized aluminum housing with mounting ears and has LEDs for upstream and downstream link status, port link status, and POE status.



## PRODUCT FEATURES

- Add new 10/100 IP port to any RG-59/RG-6 coaxial run
- Power port allows midspan power injection to extend run
- Multiple units can be daisy-chained for links longer than 500m
- Extends 10/100 Mbps Full Duplex Ethernet & PoE up to 500 meters over coax
- Supports any IP network device & 4K cameras
- Supports IEEE802.3at (25.5W) and IEEE802.3af (15.4W)
- Fully Transparent to the Network, no MAC or IP addressing required
- LED indicators for power, network rate, link status, and PoE output includes a built-in power source for all connected devices
- Ground loop isolation
- Easy to set up and install
- Limited Lifetime Warranty
- Designed, tested, manufactured, and supported in the U.S.A.

## TECHNICAL SPECIFICATIONS

### Max Operating Distance

Network Port: 100m  
Link Ports: 500m (each direction)

### Power

Requirements: 48VDC to 56VDC, 1A  
Power Output: Meets IEEE802.3af/at  
PoE Source: IEEE 802.3af/at

### LED Connectivity Indicators

Indicators: Link Status, Power, PoE out, 10/100Mb at RJ45

### System Latency

System Latency: <1mS over 300m RG-59

### Mechanical Dimensions (L x W x H)

25mm x 102mm x 140mm / 1" x 4" x 5.5" (including tabs and BNCs)

### Shipping Dimensions (L x H x L)

Package: 76mm x 175mm x 246mm / 3.0" x 6.9" x 9.7"  
Weight: 0.9kg / 2lbs

### Environmental / Temperature

Operating: -40°C to 75°C / -40°F to 167°F  
Storage: -40°C to 75°C / -40°F to 167°F  
Humidity: Up to 90% non-condensing

### Connectors

Network Port: RJ45 Connector 10/100 with PoE  
Link Ports: BNC Coax Jack

REV. 02182025

### USA OFFICE:

729 1ST AVE N. BIRMINGHAM, AL 35203  
PHONE : (847) 259-8900  
E-MAIL: INFO@NITEK.NET • WEB:NITEK.NET