

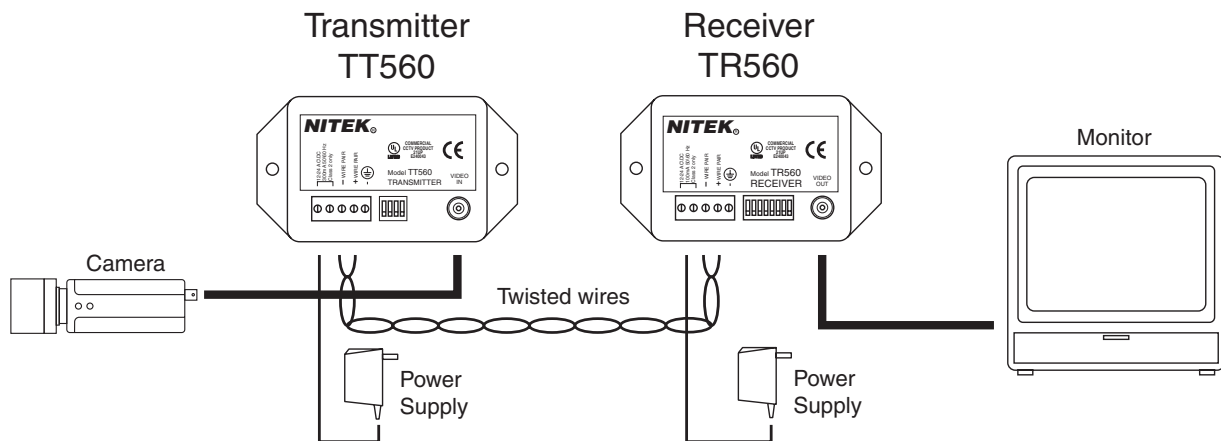
Description

The **TT560** is designed for operation over Category rated cable or twisted pair communication cable and requires a Nitek active receiver unit. The unit works equally well over existing communication and computer networks or newly installed cable. A highly balanced transmitter output design assures that the system will not interfere with other equipment on the network. In addition, the transmitter is virtually impervious to ground loop and has high immunity to noise and interference. Built-in surge suppression is standard.

A dip switch on the unit provides precise adjustment of gain and frequency compensation, allowing the system to be "fine-tuned" to the cable.

Features

- Active electronics compensate for frequency and level loss
- Built-in protection from power surges, transients, static or other electrical interference
- High resolution color or monochrome video
- Immunity to ground loop; video and AC can be run in a common raceway, where allowed
- Video can be run in the same cable with telephone and computer signals
- Weather resistant design
- Easy to install



NITEK®

USA

5410 Newport Drive, # 24
 Rolling Meadows, IL 60008
 Phone: (847) 259-8900
 Fax: (847) 259-1300
 E-mail: info@nitek.net
WWW.NITEK.NET

EUROPE

De Schans 19-21 2a
 8231 KA Lelystad
 Tel: +31(0)320-2300005
 Fax: +31(0)320-282186
 E-mail: info@nitek.nl
WWW.NITEK.NL

TECHNICAL SPECIFICATION

Transmitter Unit

Size	1.6" H x 4.3" W x 2.4" D
Power Requirements	12 to 24 VAC or VDC, 45mA
Operating Distance w/TR560 Receiver	
Analog Video	500 to 7,200 feet
with DVR	500 to 6,000 feet
Output	Balanced low voltage current loop
Input	1 Vpp composite video Monochrome or Color
Common Mode Rejection	>70dB (with TR560 Receiver)
Video Format	PAL, SECAM, NTSC, RS170, CCIR (Color or B/W)
Operating Frequency	DC to 10 MHz
Wire Size	26 to 18 AWG twisted pair
UTP Category	2 or better
Temperature Range	-20°C to +65°C
Humidity Range	0 to 98%, non-condensing
Enclosure Material	Black, ABC flame retardant plastic
Twisted Pair Connection	Screw terminals
Shipping Weight	2 lbs

Wire and Cable Recommendations

We recommend using unshielded twisted pair wiring. The systems will operate over wire 26 to 18 AWG but are optimized for 24 AWG. Category cables may be used. Individually shielded pairs should be avoided, as they drastically reduce the operating range of the systems. Multi-pair cable with an overall shield is acceptable. Video can be operated in the same communication cable coexistent with telephone, computer, control signals, power voltages and other video signals. While video may be routed through telephone punch down block terminals, any bridge-taps, also called T-taps and any resistive, capacitive or inductive devices MUST BE removed from the pair.